

YGLZ1-125~4000A

Series Transfer Load-isolation Switch

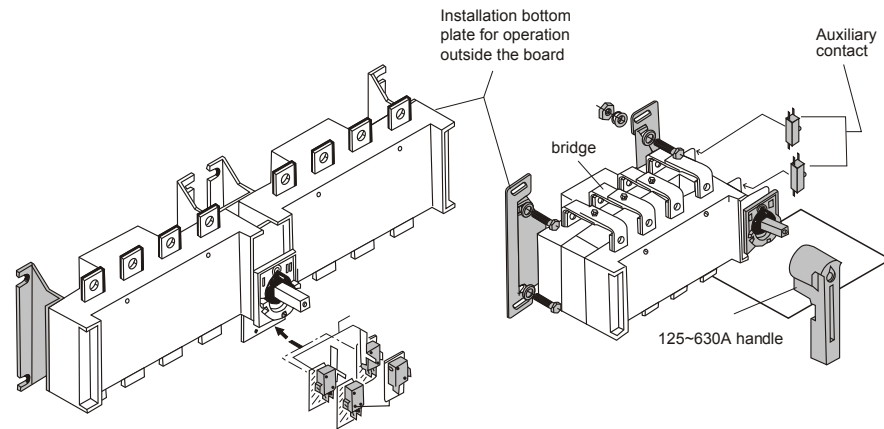


General

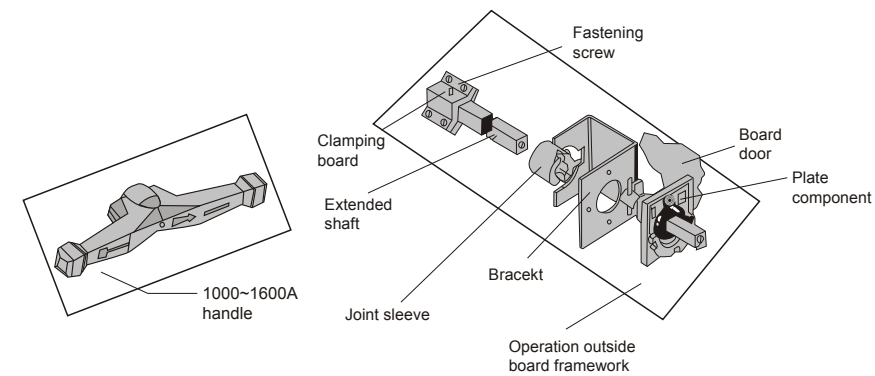
- YGLZ1 -125~4000A. The load isolation switch is suitable for the changeover of two sets of low voltage electric circuit or the changeover of 2 sets of on-load devices or safety insulation.
- Mode of operation:
Direct operation: handle is installed on the switch.
Operation outside the board: handle is installed outside the door of power distributing board.
- Products with observation windows can be provided according to the demand to observe directly the on and off state of contact.
- The products have three poles, four poles, and (three poles+on and off neural pole).
- Extended shaft is used for the operation outside the board.
- Two sets of auxiliary contacts can be assembled according to the demand.
- Mechanical property and electric property correspond to the mechanical property and electric property of YGL-125~4000A.
- A bridge can be provided to connect the inlet or outlet terminal of the switch.
Note: The bridge connection is chosen, an explanation is needed to indicate the inlet or outlet is connected with it.



YGLZ2-125~1600A



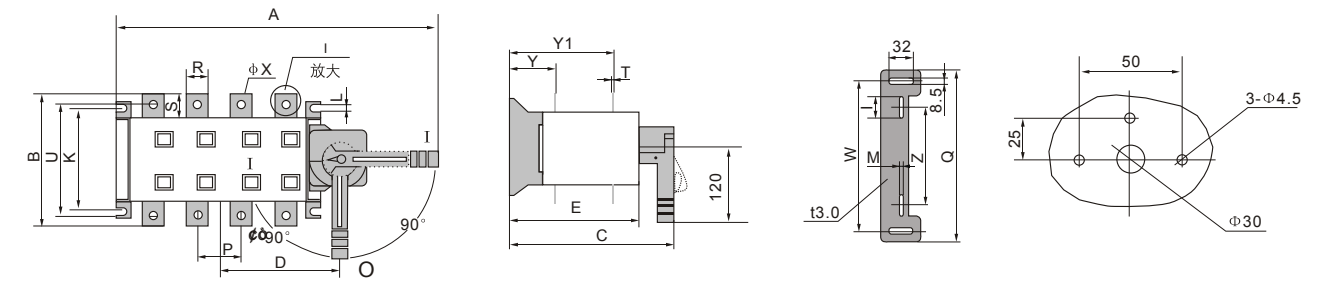
YGLZ1-125~4000A



YGLZ1-125~4000A

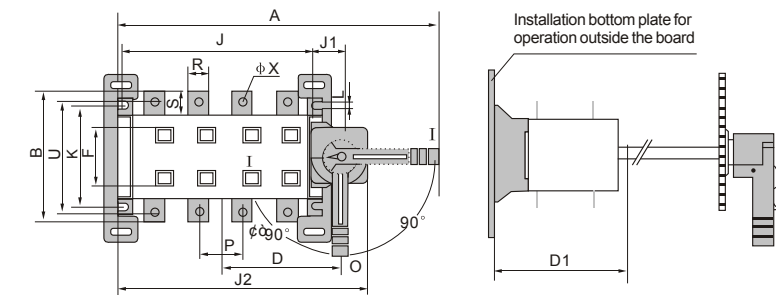
Series Transfer Load-isolation Switch

YGLZ1-125~630A Outline and installation dimensions



YGLZ1-125~1600A Direct operation

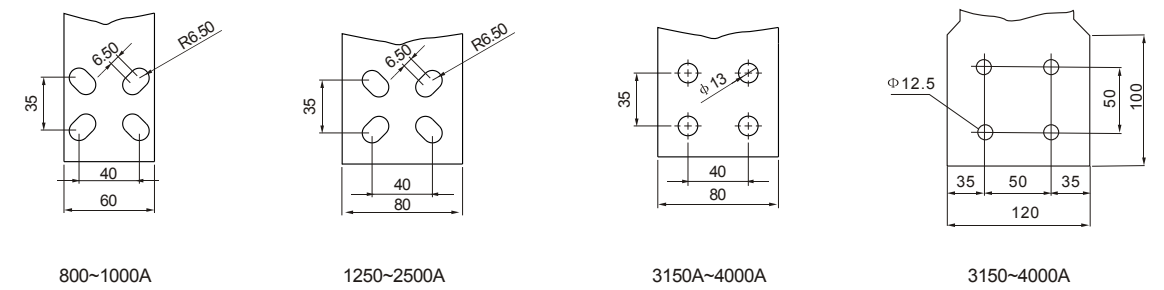
Installation size of handle seat outside board



YGLZ1K-125~1600A Operation outside board

Specification	Dimension of Bottom Board				
	I	M	Z	W	Q
YGLZ1-125A	55	6.5	95	216	244
YGLZ1-160A	55	6.5	95	216	244
YGLZ1-200A	55	6.5	116	216	244
YGLZ1-250A	55	6.5	116	216	244
YGLZ1-315-400A	60	8.5	180	280	311
YGLZ1-500-630A	60	8.5	180	280	311
YGLZ1-1000-1600A	60	8.5	180	280	311

Connecting terminal

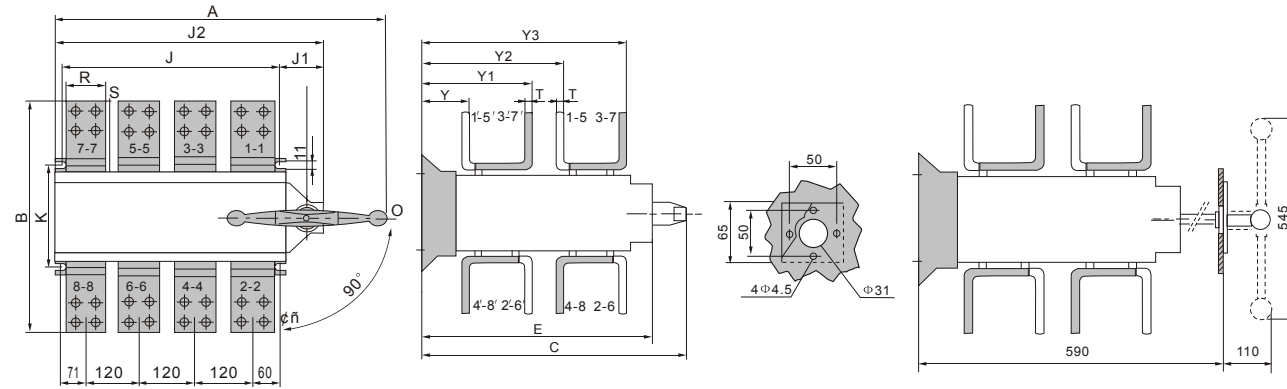


Specification	External Dimension and Installation Dimension																			
	A	B	C	D	D1	E	J	J1	J2	K	L	P	R	S	T	U	ΦX	Y	Y1	F
YGLZ1-80A-100A/4	277	106	166	98	143	106	115	40	195	84	7	30	14	18	2.5	91	6	39	90.5	
YGLZ1-125A-160A/3	274	135	215	89	190	154	120	30	195	95	7	36	20	25	3	115	10	55	125	49
YGLZ1-125A-160A/4	304	135	215	104	190	154	150	30	225	95	7	36	20	25	3	115	10	55	125	49
YGLZ1-200A-250A/3	347	165	250	110	215	180	160	30	235	115	9	50	25	30	3.5	134	10.5	65	146	76
YGLZ1-200A-250A/4	396	165	250	135	218	180	210	30	285	115	9	50	25	30	3.5	134	10.5	65	146	76
YGLZ1-315A-400A/3	432	234	325	150	278	241	211	44.5	298	180	10	65	32	38	5	205	10.5	85	197.5	94
YGLZ1-315A-400A/4	492	234	325	180	278	241	270	44.5	358	180	10	65	32	38	5	205	10.5	85	197.5	94
YGLZ1-500A-630A/3	432	250	325	150	278	241	211	44.5	298	180	10	65	40	45	6	215	12.5	85	198	94
YGLZ1-500A-630A/4	492	250	325	180	278	241	270	44.5	358	180	10	65	40	45	6	215	12.5	85	198	94

YGLZ1-125~4000A

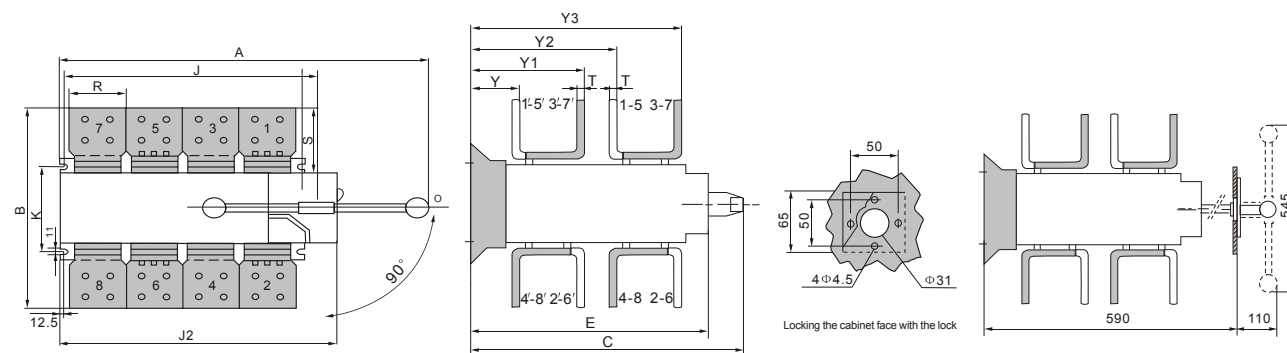
Series Transfer Load-isolation Switch

YGLZ1-1000~3150A Outline and installation dimensions



Direct operation on front face YGLZ1-2000~2500A

Operation outside YGLZ1-2000~2500A



Direct operation on front face YGLZ1-3150

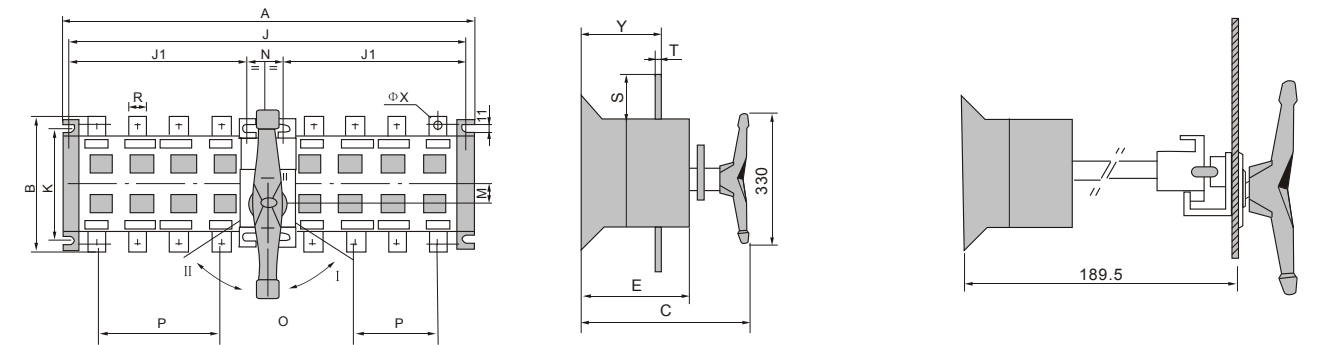
Operation outside YGLZ1-3150A

Specification	External Dimension and Installation Dimension																
	A	B	C	E	J	J1	J2	K	P	R	S	T	φX	Y	Y1	Y2	Y3
YGLZ1-1000A/3	583	328	390	296	354	53	450	220	120	60	64	8	12.5	110	256		
YGLZ1-1000A/4	698	328	390	296	440	53	565	220	120	60	64	8	12.5	110	256		
YGLZ1-1250A/3	583	336	390	296	354	53	450	220	120	80	68	8	12.5	110	256		
YGLZ1-1250A/4	698	336	390	296	440	53	565	220	120	80	68	8	12.5	110	256		
YGLZ1-1600A/3	583	336	390	296	354	53	450	220	120	80	68	10	12.5	111	257		
YGLZ1-1600A/4	698	336	390	296	440	53	565	220	120	80	68	10	12.5	111	257		
YGLZ1-2000A/3	583	422	568	475	354	53	450	220	120	80	111	10	12.5	70	211	330	445
YGLZ1-2000A/4	698	422	568	475	440	53	565	220	120	80	111	10	12.5	70	211	330	445
YGLZ1-2500A/3	583	432	568	475	354	53	450	220	120	80	116	15	12.5	70	216	330	450
YGLZ1-2500A/4	698	432	568	475	440	53	565	220	120	80	116	15	12.5	70	216	330	450
YGLZ1-3150A/3	583	442	568	475	354	53	450	220	120	80	121	20	12.5	75	221	330	455
YGLZ1-3150A/4	698	442	568	475	440	53	565	220	120	80	121	20	12.5	75	221	330	455

YGLZ1-125~4000A

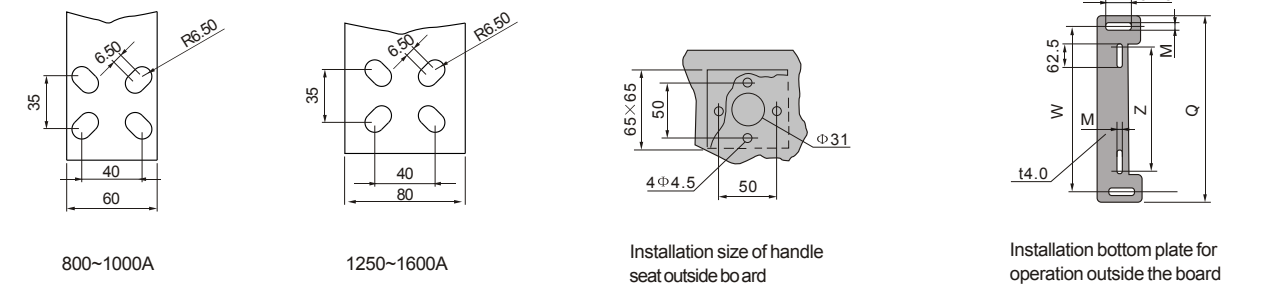
Series Transfer Load-isolation Switch

YGLZ2-125~1600A Outline and installation dimensions



Direct operation on front face YGLZ2K-125~1600A

Operation outside YGLZ2-125~1600A



800~1000A

1250~1600A

Installation size of handle seat outside board

Installation bottom plate for operation outside the board

Specification	External Dimension and Installation Dimension																
	A	B	C	E	Y	J	J1	K	M	N	P	Q	R	S	T	W	Z
YGLZ2-80A-100A/4	324	106	115.5	60	39	310		84					14	18	2.5		
YGLZ2-125-160A/3	320	135	148	89	55	302	120	95	6.5	59	36	218	20	25	3	190	90
YGLZ2-125-160A/4	378	135	148	89	55	359	150	95	6.5	59	36	218	20	25	3	190	90
YGLZ2-200-250A/3	400	165	167	100	65	380	160	115	6.5	65	50	218	25	30	3.5	190	90
YGLZ2-200-250A/4	498	165	167	100	65	480	210	115	6.5	65	50	218	25	30	3.5	190	90
YGLZ2-315-400A/3	530	234	213	129	85	515	210	180	8.5	90	65	270	32	38	5	240	130
YGLZ2-315-400A/4	650	234	213	129	85	515	270	180	8.5	90	65	270	32	38	5	240	130
YGLZ2-500-630A/3	530	250	213	129	85	515	210	180	8.5	90	65	270	40	45	6	240	130
YGLZ2-500-630A/4	650	250	213	129	85	515	270	180	8.5	90	65	270	40	45	6	240	130
YGLZ2-1000A/3	835	328	242	145	110	811	352	220	8.5	105	120	311	60	64	8	280	180
YGLZ2-1000A/4	1064	328	242	145	110	1045	467	220	8.5	105	120	311	60	64	8	280	180
YGLZ2-1250A/3	835	336	242	145	110	811	352	220	8.5	105	120	311	80	68	8	280	180
YGLZ2-1250A/4	1064	336	242	145	110	1045	467	220	8.5	105	120	311	80	68	8	280	180
YGLZ2-1600A/3	835	336	242	145	111	811	352	220	8.5	105	120	311	80	68	10	280	180
YGLZ2-1600A/4	1064	336	242	145	111	1045	467	220	8.5	105	120	311	80	68	10	280	180